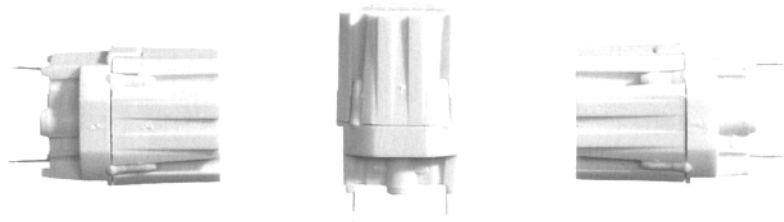


PTC Thermistors

Mono types for picture tube degaussing



Standard inrush range

Catalogue number 2322 662 available types	min. peak-to-peak inrush current (A)		max peak-to-peak residual current (after 180 sec.) (mA)		R_{25} (Ω)	R_{coil} (Ω)		U_{max} (V)
	at 220 V	at 110 V	at 220 V	at 110 V		min.	typ.	
96281	11	5.2	20	30	30	17	25	276
96682	20	9.0	25	30	18	10	13	276
96683	25	12	30	40	14	10	10	276
96684	21	10.2	30	40	12	10	10	276
96285	-	24	-	40	7	3	5	145
96686	-	32	-	50	5	1	4	145
96687	20	10	30	35	9	20	20	276
96688	12.8	5.8	20	30	26	14	25	276

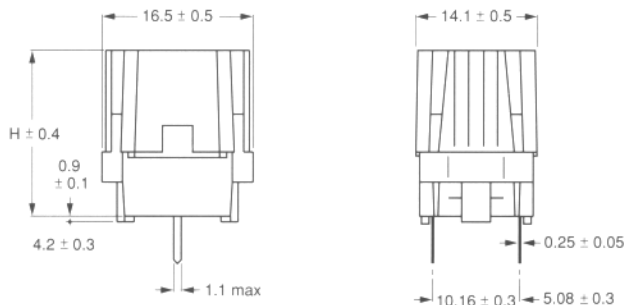
Note

low cap (18.4 mm)	96281 and 96285
high cap (20.5 mm)	all other types

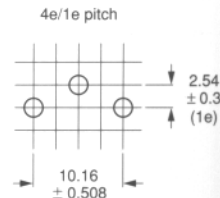
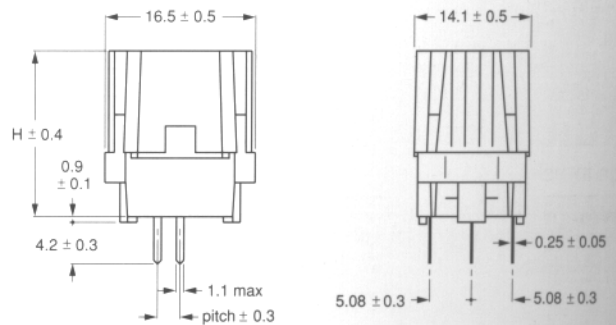
pin length : 4.2 mm

Mechanical dimensions in mm

Mono PTC

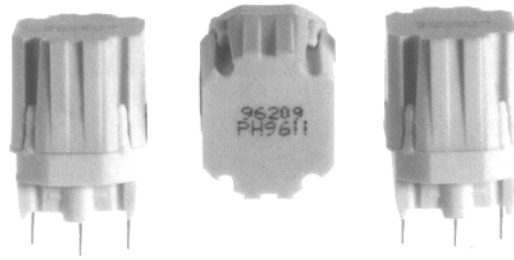


Duo PTC



PTC Thermistors

Duo types for picture tube degaussing



Standard inrush range

Catalogue number 2322 662		min. peak-to-peak ¹⁾ inrush current (A)		max peak-to-peak residual current ¹⁾ (after 180 sec.) (mA)		R ₂₅ (Ω)	R _{coil} (Ω)		U _{max} (V)
available types	preferred types	at 220 V	at 110 V	at 220 V	at 110 V		min.	typ.	
96 X 09	96209	11	5.2	4	2	30	17	25	276
96 X 11	96211	14	6.6	2	2	26	14	17	276
96 X 16	96216	16	7.2	4	2	22	14	17	276
96 Y 24	96624	20	9.0	2	2	18	10	13	276
96 Y 02	96702	25	12	4	4	14	10	10	276
96 X 13	—	—	22	—	10	7	3	5	145

Note

	4e/1e	4e/2e
low cap (18.4 mm)	X = 2	X = 3
high cap (20.5 mm)	Y = 6	Y = 7

pin length : 4.2 mm

Long decay range

96 Y 16	96616	16	7.2	2	2	22	14	17	276
96 Y 26	96726	20	9	2	2	18	13	17	276

Note

	4e/1e	4e/2e
high cap (20.5 mm)	Y = 6	Y = 7

pin length : 4.2 mm

High inrush range

Catalogue number 2322 662		min. peak-to-peak ¹⁾ inrush current (A)		max peak-to-peak residual current ¹⁾ (after 180 sec.) (mA)		R ₂₅ (Ω)	R _{coil} (Ω)		U _{max} (V)
available types	preferred types	at 220 V	at 110 V	at 220 V	at 110 V		min.	typ.	
96706		36	17	5.0	4.0	12	8	10	276
96705		—	36	—	14	5	1	3	145

Note

high cap (20.5 mm)
4e/2e pitch
pin length: 4.2 mm

¹⁾ measured with R_{coil} typ.